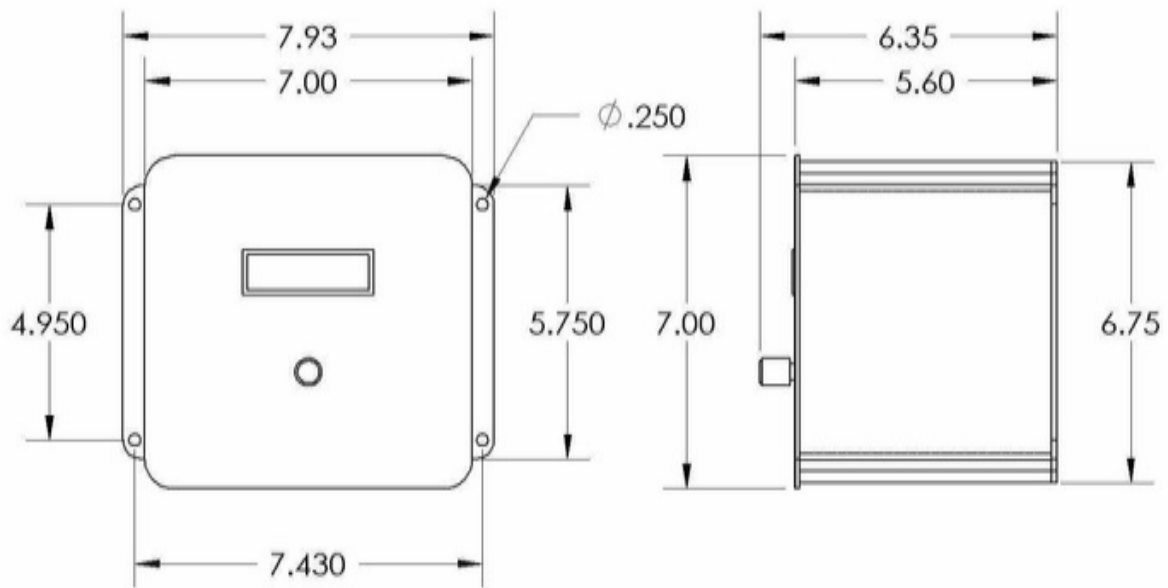


FEATURES

- Fast Microsecond Processing
- Prewired M-12 Connectors
- Magnetic Base Mount
- 2 - Lines of 16 Character Digital Display
- Single Dial/Push Button Control
- 24DC or 120AC Output Relays on Channels 1 & 2, where applicable



Providing Innovative Solutions... Delivering the Greatest Value!

Specifications

POWER

120 VAC 5 amp fused

24 VDC 1.8 amp internal power supply. (1.6 amp max. available to power input and output devices)

INPUTS

Encoder Input: 24 vdc, 100 kHz max frequency

4 Individual digital inputs: 24 vdc, PNP (for product sensors)

OUTPUTS

1 Form C contact output (for parent machine interface)

PERFORMANCE

4 Independent jam location indication

Set and actual jam length visuals for real-time comparison diagnostics

On-screen input status of sensor state for diagnostics

Auxiliary output test feature for diagnostics

On-screen line speed indication for diagnostics

Resolution and repeatability of 100 microseconds (0.1 msec)

Selectable auto learning or manual override setting of jam lengths

Low speed setting to mute jam function when jogging machine

Adjustable slip tolerance

Password protection of configuration settings

Ability to daisy-chain other UnipleX controls for additional jam locations or other UnipleX control functions

Custom programming available to meet your specific application



6504 Snider Road Loveland, OH 45140 800-852-3522

www.haeco.us