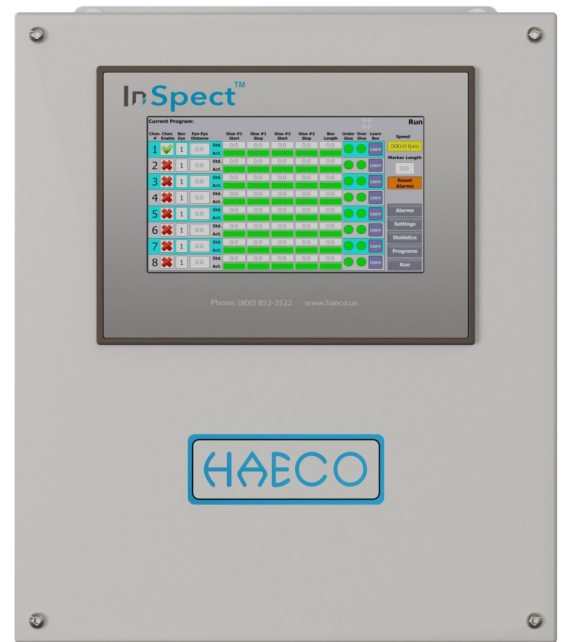


The InSpect glue inspection system by HAECO is designed for up to eight channels of precise glue inspection. Each channel can inspect up to two glue patterns. The InSpect system identifies customer specified tolerances for start and stop of glue pattern as well as out of tolerance glue gaps within the pattern and out of tolerance glue outside the pattern. An audible alarm with adjustable time and sequence creates unique horn patterns matched to specific tolerance faults.

CONTROLLER FEATURES

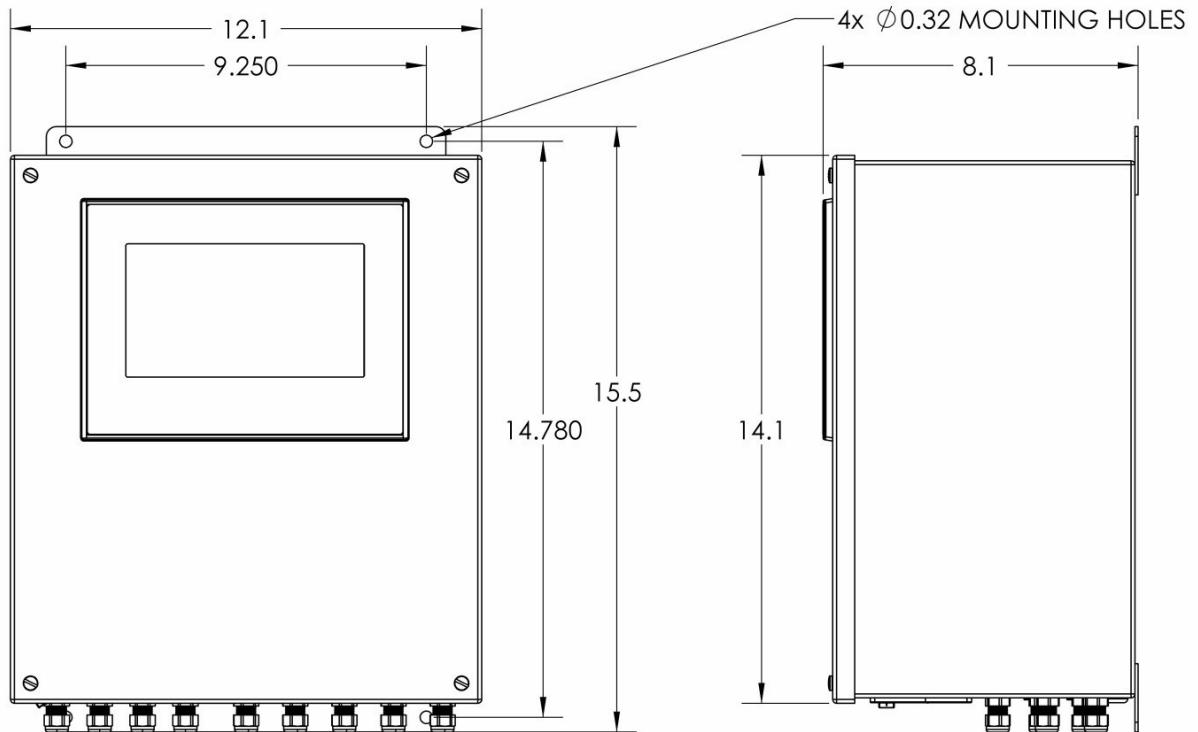
- Filter settings for inspection of dot/stitch patterns
- Learn feature for quick glue inspection pattern settings
- Statistical page to review and send job data to external USB drive
- Diagnostic alarms display detailed fault data for troubleshooting
- Box marking output to be used with auxiliary HAECO marking system
- 99 program storage



SENSOR FEATURES

- Small profile is ideal for small spaces
- Low-profile case measures 0.375" thick, allowing for individual glue line inspection

Controller



Sensor

